

**HUMBOLDT COUNTY BUILDING & SAFETY DEPARTMENT
CITY OF WINNEMUCCA
HEADER SCHEDULE**

LOAD BEARING EXTERIOR HEADERS-ROOF & CEILING ONLY (IRC TABLE R502.5(1))

BUILDING WIDTH						
Size	20'		28'		36'	
	Span	# of Jack Studs	Span	# of Jack Studs	Span	# of Jack Studs
2-2x4	3'6"	1	3'2"	1	2'10"	1
2-2x6	5'5"	1	4'8"	1	4'2"	1
2-2x8	6'10"	1	5'11"	2	5'4"	2
2-2x10	8'5"	2	7'3"	2	6'6"	2
2-2x12	9'9"	2	8'5"	2	7'6"	2
3-2x8	8'4"	1	7'5"	2	6'8"	2
3-2x10	10'6"	1	9'1"	2	8'2"	2
3-2x12	12'2"	2	10'7"	2	9'5"	2
4-2x8	9'2"	1	8'4"	1	7'8"	1
4-2x10	11'8"	1	10'6"	1	9'5"	2
4-2x12	14'1"	1	12'2"	2	10'11"	2

LOAD BEARING INTERIOR HEADERS-ROOF & CEILING ONLY (IRC TABLE R502.2(2))

BUILDING WIDTH						
Size	20'		28'		36'	
	Span	# of Jack Studs	Span	# of Jack Studs	Span	# of Jack Studs
2-2x4	3'1"	1	2'8"	1	2'5"	1
2-2x6	4'6"	1	3'11"	1	3'6"	1
2-2x8	5'9"	1	5'0"	2	4'5"	2
2-2x10	7'0"	2	6'1"	2	5'5"	2
2-2x12	8'1"	2	7'0"	2	6'3"	2
3-2x8	7'2"	1	6'3"	1	5'7"	2
3-2x10	8'9"	1	7'7"	2	6'9"	2
3-2x12	10'2"	2	8'10"	2	7'10"	2
4-2x8	9'0"	1	7'8"	1	6'9"	1
4-2x10	10'1"	1	8'9"	1	7'10"	2
4-2x12	11'9"	1	10'2"	2	9'1"	2

SPANS FOR MIN. #2 GRADE SINGLE HEADER SUPPORTING ROOF & CEILING ONLY (IRC TABLE R602.7.1)

	BUILDING WIDTH		
	20'	28'	36'
2X8	5'3"	4'6"	4'0"
2X10	6'8"	5'8"	5'1"
2X12	8'1"	6'11"	7'2"

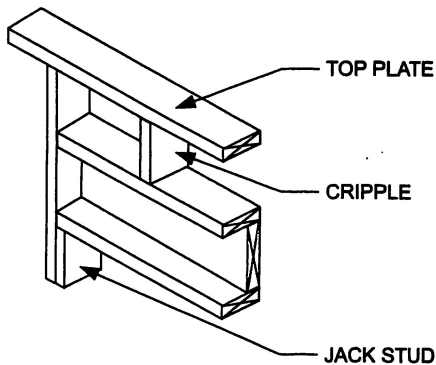


FIGURE R602.7.1(1)
SINGLE MEMBER HEADER IN EXTERIOR BEARING WALL

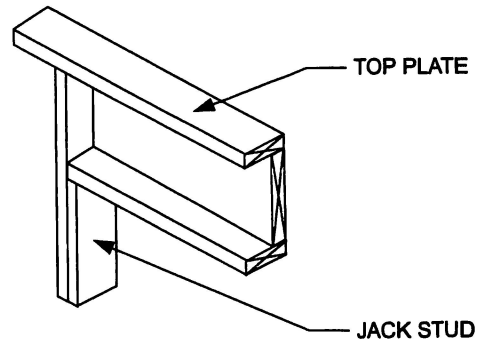


FIGURE R602.7.1(2)
ALTERNATIVE SINGLE MEMBER HEADER WITHOUT CRIPPLE